



## RESIDENTIAL GAS REPLACEMENT PARTS LIST

# Direct Vent Gas Models



**Models Covered:**  
DS(140, 150)S\*F(BN,CX, SX)  
DS(140, 150)S\*F(BN,SX)  
(-ONLY,-FLEX,-SOLID)  
\*Denotes warranty year

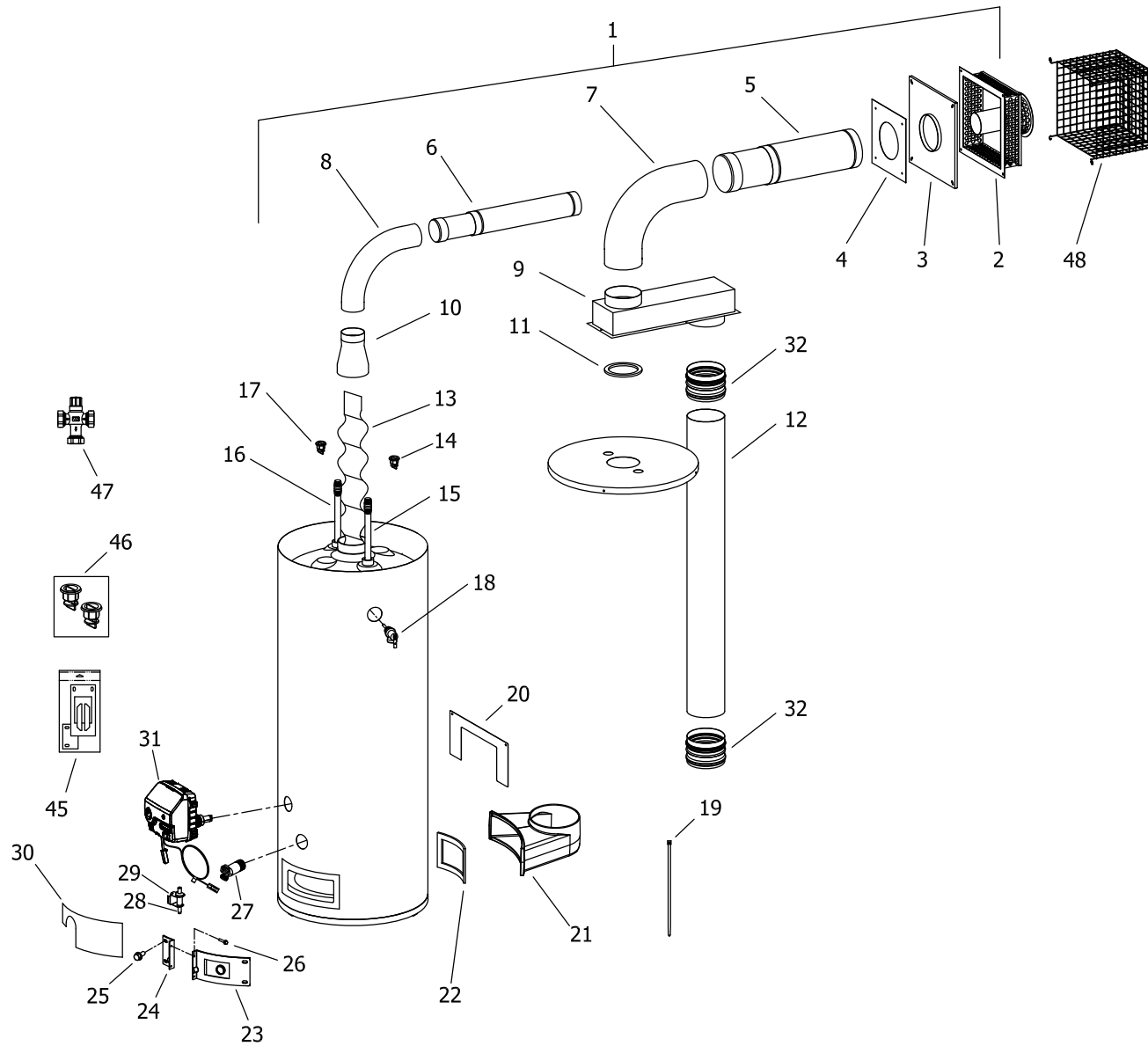
**Effective: December, 2022**  
**ECO 8248-3**

**NOTE: BOTH MODEL AND SERIAL  
NUMBERS ARE REQUIRED FOR  
ORDERING REPLACEMENT PARTS**

Dimensions and specifications  
subject to change without notice.



As required by the state of California Proposition 65.



Item	Description	Model	Model	Model	Model
		DS140S*F(BN,CX, SX)	DS140S*F(BN,SX) (-ONLY,-FLEX,-SOLID)	DS150S*F(BN,CX, SX)	DS150S*F(BN,SX) (-ONLY,-FLEX,-SOLID)
1	Vent Package (Solid)	239-41097-00	415-47810-00	239-41097-00	415-47810-00
	Vent Package (Flexible)	---	415-47812-00	---	415-47812-00
2	Direct Vent-Air Intake Terminal (Flexible & Solid)	415-41425-00	415-41425-00	415-41425-00	415-41425-00
3	Outer Wall Mounting Plate (Flexible & Solid)	415-41431-00	415-41431-00	415-41431-00	415-41431-00
4	Inner Wall Mounting Plate (Flexible & Solid)	239-41433-00	239-41433-00	239-41433-00	239-41433-00
5	5" Diameter Telescopic Air Intake Tube (Solid Only)	239-41006-00	239-41006-00	239-41006-00	239-41006-00
6	3" Diameter Telescopic Vent Tube (Solid Only)	239-41005-00	239-41005-00	239-41005-00	239-41005-00
7	5" Diameter Elbow (Solid Only)	239-41007-00	239-41007-00	239-41007-00	239-41007-00
8	3" Diameter Elbow (Solid Only)	239-41008-00	239-41008-00	239-41008-00	239-41008-00
9	Plenum	239-41010-00	239-47663-00	239-41010-00	239-47663-00
10	Flue Reducer	239-41009-00	239-41009-00	239-41009-00	239-41009-00
11	Plenum Gasket	239-41070-01	239-41070-01	239-41070-01	239-41070-01
12	Air Intake Tube ♦	---	---	---	239-50099-02
13	Flue Baffle	243-44648-00	243-47511-00	243-44648-00	243-47412-00
14	Heat Trap Insert (Inlet)	415-45073-00	415-45073-00	415-45073-00	415-45073-00
15	Cold Water Inlet Dip Tube Polysulfone▲▲	---	---	229-51230-06	229-51230-06
16	Hot Water Outlet Anode Magnesium▲	415-47776-05	415-47776-05	---	---
	Aluminum Anode▲	415-32999-10	415-32999-10	415-32999-06	415-32999-06
	A420 Aluminum Anode▲#	415-49560-08	415-49560-08	415-49560-08	415-49560-08
17	Heat Trap Insert (Outlet)	415-45167-00	415-45167-00	415-45167-00	415-45167-00
18	T&P Relief Valve	415-32920-01	415-32920-01	415-32920-01	415-32920-01
19	Wire Tie	239-44328-00	239-44328-00	239-44328-00	239-44328-00
20	Direct Vent Boot Escutcheon	243-46922-00	---	243-46922-00	---
21	Air Intake Boot	239-47771-18	239-47771-18	239-47771-18	239-47771-18
22	Air Intake Boot Gasket	223-41067-00	w/ Intake Boot	223-41067-00	w/ Intake Boot
23	Right Side Inner Door	239-45642-18	239-45642-18	239-45642-18	239-45642-18
24	Left Side Inner Door	239-43968-18	239-43968-18	239-43968-18	239-43968-18
25	Screw-#10-12 x 3/4 HWH	239-52581-00	239-52581-00	239-52581-00	239-52581-00
26	Screw-#8-18 x 3/4 HWH	239-44195-00	239-44195-00	239-44195-00	239-44195-00
27	Brass Drain Valve	415-42351-02	415-42351-02	415-42351-02	415-42351-02
28	Piezo Igniter (White Rodgers)	415-43448-00	415-43448-00	415-43448-00	415-43448-00
29	Piezo Igniter Bracket (White Rodgers)	239-46157-02	239-46157-02	239-46157-02	239-46157-02
30	Outer Door	243-43962-00	243-43962-00	243-43962-00	243-43962-00
31	Gas Control Direct Replacement Natural Gas	239-47463-01	239-47463-01	239-47463-01	239-47463-01
	Gas Control Direct Replacement LP Gas	239-47465-01	239-47465-01	239-47465-01	239-47465-01
	Gas Control Universal Replacement Natural Gas	239-47851-00	239-47851-00	239-47851-00	239-47851-00
	Gas Control Universal Replacement LP Gas	239-47856-00	239-47856-00	239-47856-00	239-47856-00
32	Coupler (2 Required) ♦	---	239-50102-00	---	239-50102-00

\*Applies to all warranties

\*\*Inner door gasket kit recommended

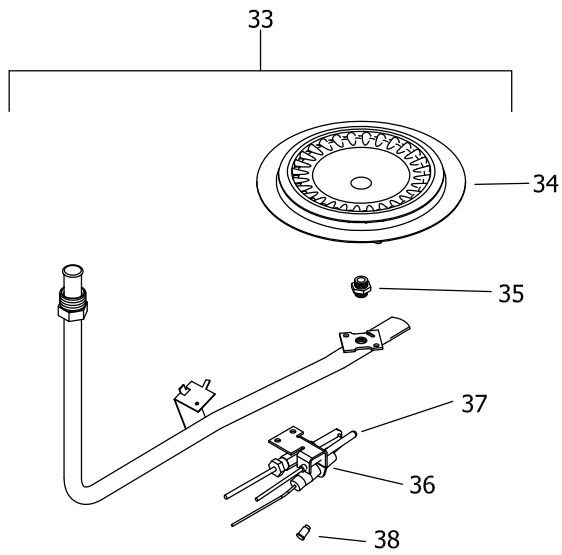
\*\*\*Ordering a complete burner assembly may increase delivery time. Please order the specific component required for the quickest delivery.

# A420 Anode may need to be cut to length

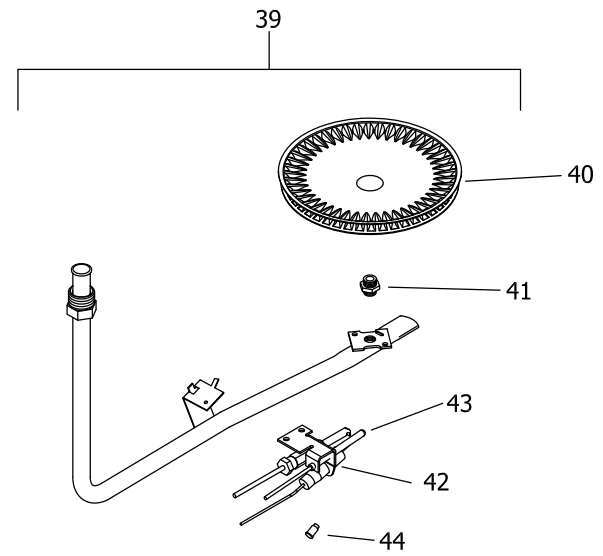
▲ Order with item 17

▲▲ Order with item 14

♦ Air intake tube (item 12) must be ordered with coupler (item 32).



NATURAL GAS (BN) BURNER ASSEMBLY



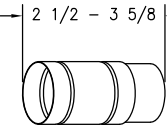
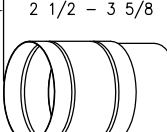


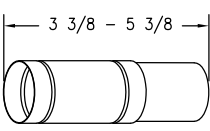
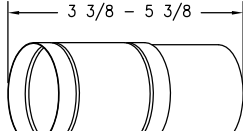

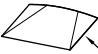
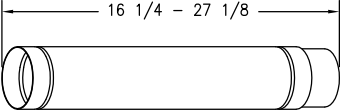
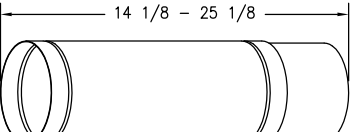

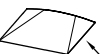
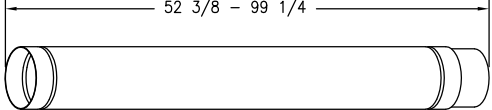
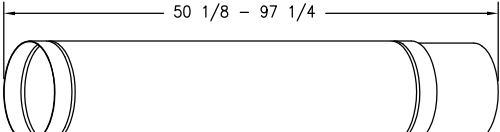


LP GAS (SX) BURNER ASSEMBLY

LP GAS (SX) BURNER ASSEMBLY TO REPLACE LP GAS (CX) BURNER ASSEMBLY

Item Description	Model	Model	Model	Model	
	DS140S*F(BN,CX, SX)	DS140S*F(BN,SX) (-ONLY,-FLEX,-SOLID)	DS150S*F(BN,CX, SX)	DS150S*F(BN,SX) (-ONLY,-FLEX,-SOLID)	
<b>Natural Gas BN Burner Assembly</b>					
33	Nat Gas Burner Assembly Complete***	265-47439-07-33	265-47439-07-33	265-47439-07-32	265-47439-07-32
34	Nat. Gas BN Burner**	228-42506-00	228-42506-00	228-42506-00	228-42506-00
35	Nat. Gas Main Burner Orifice**	234-41034-33	234-41034-33	234-41034-32	234-41034-32
	Nat. Gas High Altitude 2001 Ft. to 5000 Ft.**	234-41034-36	234-41034-36	234-41034-36	234-41034-36
	Nat. Gas High Altitude 5001 Ft. to 8000 Ft.**	234-41034-36	234-41034-36	234-41034-38	234-41034-38
	Nat. Gas High Altitude Over 8000 Ft.**	234-41034-40	234-41034-40	234-41034-38	234-41034-38
36	Nat. Gas Pilot Assembly (White Rodgers)**	233-46277-04	233-46277-04	233-46277-04	233-46277-04
	Nat. Gas Pilot Assembly (Resideo)**	233-48077-03	233-48077-03	233-48077-03	233-48077-03
37	Thermocouple (White Rodgers)**	415-46501-24	415-46501-24	415-46501-24	415-46501-24
38	Nat. Gas Pilot Orifice (White Rodgers)**	234-46502-05	234-46502-05	234-46502-05	234-46502-05
<b>LP Gas SX Burner Assembly Replacement for LP Gas Cast Iron Burner</b>					
39	LP Gas Burner Assembly Complete***	265-47440-11-50	265-47440-11-50	265-47440-11-49	265-47440-11-49
40	LP Gas SX Burner**	228-46964-00	228-46964-00	228-46964-00	228-46964-00
41	LP Gas Main Burner Orifice**	234-47064-50	234-47064-50	234-47064-49	234-47064-49
	LP Gas High Altitude 2001 Ft. to 5000 Ft.**	234-47064-51	234-47064-51	234-47064-51	234-47064-51
	LP Gas High Altitude 5001 Ft. to 8000 Ft.**	234-47064-52	234-47064-52	234-47064-52	234-47064-52
	LP Gas High Altitude Over 8000 Ft.**	234-47064-53	234-47064-53	234-47064-52	234-47064-52
42	LP Gas Pilot Assembly (White Rodgers)**	233-46278-03	233-46278-03	233-46278-03	233-46278-03
	LP Gas Pilot Assembly (Resideo)**	233-48078-03	233-48078-03	233-48078-03	233-48078-03
43	Thermocouple (White Rodgers)**	415-46501-24	415-46501-24	415-46501-24	415-46501-24
44	LP Gas Pilot Orifice (White Rodgers)**	234-46502-02	234-46502-02	234-46502-02	234-46502-02
45	Inner Door Gasket Kit	239-44078-00	239-44078-00	239-44078-00	239-44078-00
46	Heat Trap Insert Kit	265-45420-00	265-45420-00	265-45420-00	265-45420-00
47	ASSE Approved Mixing Valve (Optional)	239-51778-00	239-51778-00	239-51778-00	239-51778-00
48	Direct Vent-Air Intake Terminal Guard (Optional)	415-41453-00	415-41453-00	415-41453-00	415-41453-00
-	LP to Natural Gas Conversion Kit (Norm Alt.)	265-45712-31	265-45712-51	265-45712-32	265-45712-52
-	LP to Natural Gas Conversion Kit (High Alt.)	265-45712-36	265-45712-56	265-45712-37	265-45712-57

# SOLID VENT KITS

 <p style="text-align: center;">SILICONE SEALANT</p>  <p style="text-align: center;">BAG OF MOUNTING HARDWARE</p> <div style="display: flex; justify-content: space-around; align-items: center;"> <div style="text-align: center;">  <p>2 1/2 - 3 5/8</p> </div> <div style="text-align: center;">  <p>2 1/2 - 3 5/8</p> </div> </div> <p style="text-align: center;"><b>DIRECT VENT-AIR INTAKE KIT A</b> PART NO. 239-41260-00 (OPTIONAL)</p>	 <p style="text-align: center;">SILICONE SEALANT</p>  <p style="text-align: center;">BAG OF MOUNTING HARDWARE</p> <div style="display: flex; justify-content: space-around; align-items: center;"> <div style="text-align: center;">  <p>3 3/8 - 5 3/8</p> </div> <div style="text-align: center;">  <p>3 3/8 - 5 3/8</p> </div> </div> <p style="text-align: center;"><b>DIRECT VENT-AIR INTAKE KIT B</b> PART NO. 239-41331-00 (OPTIONAL)</p>
 <p style="text-align: center;">SILICONE SEALANT</p>  <p style="text-align: center;">BAG OF MOUNTING HARDWARE</p> <div style="text-align: center; margin-bottom: 20px;">  <p>16 1/4 - 27 1/8</p> </div> <div style="text-align: center;">  <p>14 1/8 - 25 1/8</p> </div> <p style="text-align: center;"><b>DIRECT VENT-AIR INTAKE KIT C</b> PART NO. 239-41029-00 (OPTIONAL) ABOVE TUBE LENGTHS SUPPLIED WITH HEATER</p>	 <p style="text-align: center;">SILICONE SEALANT</p>  <p style="text-align: center;">BAG OF MOUNTING HARDWARE</p> <div style="text-align: center; margin-bottom: 20px;">  <p>52 3/8 - 99 1/4</p> </div> <div style="text-align: center;">  <p>50 1/8 - 97 1/4</p> </div> <p style="text-align: center;"><b>DIRECT VENT-AIR INTAKE KIT D</b> PART NO. 239-41424-00 (OPTIONAL)</p>

**SOLID VENT KITS**

		Horizontal "X"				
		13 1/4 14 3/16	15 17 11/16	22 1/4 32 3/16	36 55 7/8	58 5/16 104 5/16
Vertical "Y"	10	order kit A 239-41260-00	order kit B 239-41331-00	<b>no add'l kit req'd</b>	order kit C 239-41029-00	order kit D 239-41424-00
	14 3/4 15 11/16	order kit A *(2) 239-41260-00	order kit A & B 239-41260-00 239-41331-00	order kit A 239-41260-00	order kit A & C 239-41260-00 239-41029-00	order kit A & D 239-41260-00 239-41424-00
	16 1/2 19 3/16	order kit A & B 239-41260-00 239-41331-00	order kit B *(2) 239-41331-00	order kit B 239-41331-00	order kit B & C 239-41331-00 239-41029-00	order kit B & D 239-41331-00 239-41424-00
	23 3/4 33 11/16	order kit A 239-41260-00	order kit B 239-41331-00	order kit C 239-41029-00	order kit C *(2) 239-41029-00	order kit D 239-41424-00
	37 1/2 57 3/8	order kit A & C 239-41260-00 239-41029-00	order kit B & C 239-41331-00 239-41029-00	order kit C *(2) 239-41029-00	order kit C *(3) 239-41029-00	order kit C & D 239-41029-00 239-41424-00
	59 13/16 105 13/16	order kit A & D 239-41260-00 239-41424-00	order kit B & D 239-41331-00 239-41424-00	order kit D 239-41424-00	order kit C & D 239-41029-00 239-41424-00	order kit D *(2) 239-41424-00

\*(2) = Order two kits

\*(3) = Order three kits

**FLEXIBLE VENT KITS**

Vertical Vent Height + Horizontal Vent Length	Kit Part Number
Less than 100 inches	239-47812-00
More than 100 inches	N/A*

\*Do not attempt to use flexible vent hose at a distance greater than 100 inches.

### **Reference Chart of Anode Length by Model**

Model	AOD Anode Cut Length (End to end)	
	Inches	Millimeters
DS140S*F(BN,CX, SX)	34	865
DS140S*F(BN,SX) (-ONLY,-FLEX,-SOLID)	39.13	995
DS150S*F(BN,CX, SX)	44	1119
DS150S*F(BN,SX) (-ONLY,-FLEX,-SOLID)	47.63	1211





## United States

---

**Sales** 800-523-2931

**Technical Support** 800-334-3393

**Email** [techserv@bradfordwhite.com](mailto:techserv@bradfordwhite.com)

**Warranty** 800-531-2111

**Email** [warranty@bradfordwhite.com](mailto:warranty@bradfordwhite.com)

**Service Parts** 800-538-2020

**Email** [parts@bradfordwhite.com](mailto:parts@bradfordwhite.com)

## Canada

---

**Sales & Technical Support** 866-690-0961 905-203-0600

**Fax** 905-636-0666

**Warranty** [bwccwarranty@bradfordwhite.com](mailto:bwccwarranty@bradfordwhite.com)

**Technical Support** [bwccotech@bradfordwhite.com](mailto:bwccotech@bradfordwhite.com)

**Service Parts** [orders@bradfordwhitecanada.com](mailto:orders@bradfordwhitecanada.com)

**Orders** [ca.orders@bradfordwhite.com](mailto:ca.orders@bradfordwhite.com)

For U.S. and Canada field service,  
contact your professional installer or  
local Bradford White sales representative.

## International

---

**General Contact** [international@bradfordwhite.com](mailto:international@bradfordwhite.com)